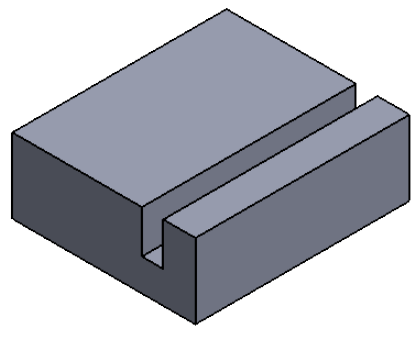
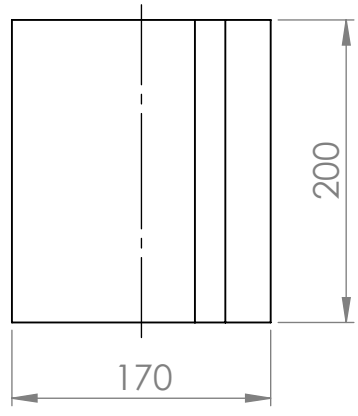


4 3 2 1

F

F

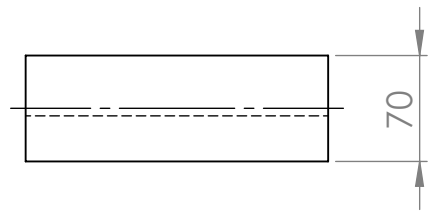
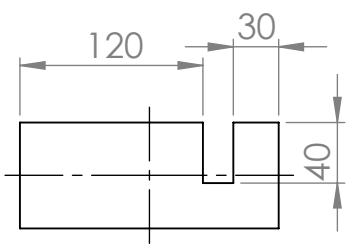


E

E

D

D



C

C

B

B

A

A

	NAME	SIGNATURE	DATE	REVISION	TITLE:
DRAWN	UPi				Sähkövaraus W2
CHKD					
APPVD					

DO NOT SCALE DRAWING

**UKM** UK-MUOVI OY

MATERIAL:  
EPS

DWG NO.

A4

WEIGHT:

SCALE:1:5

SHEET 1 OF 1

4 3 2 1